

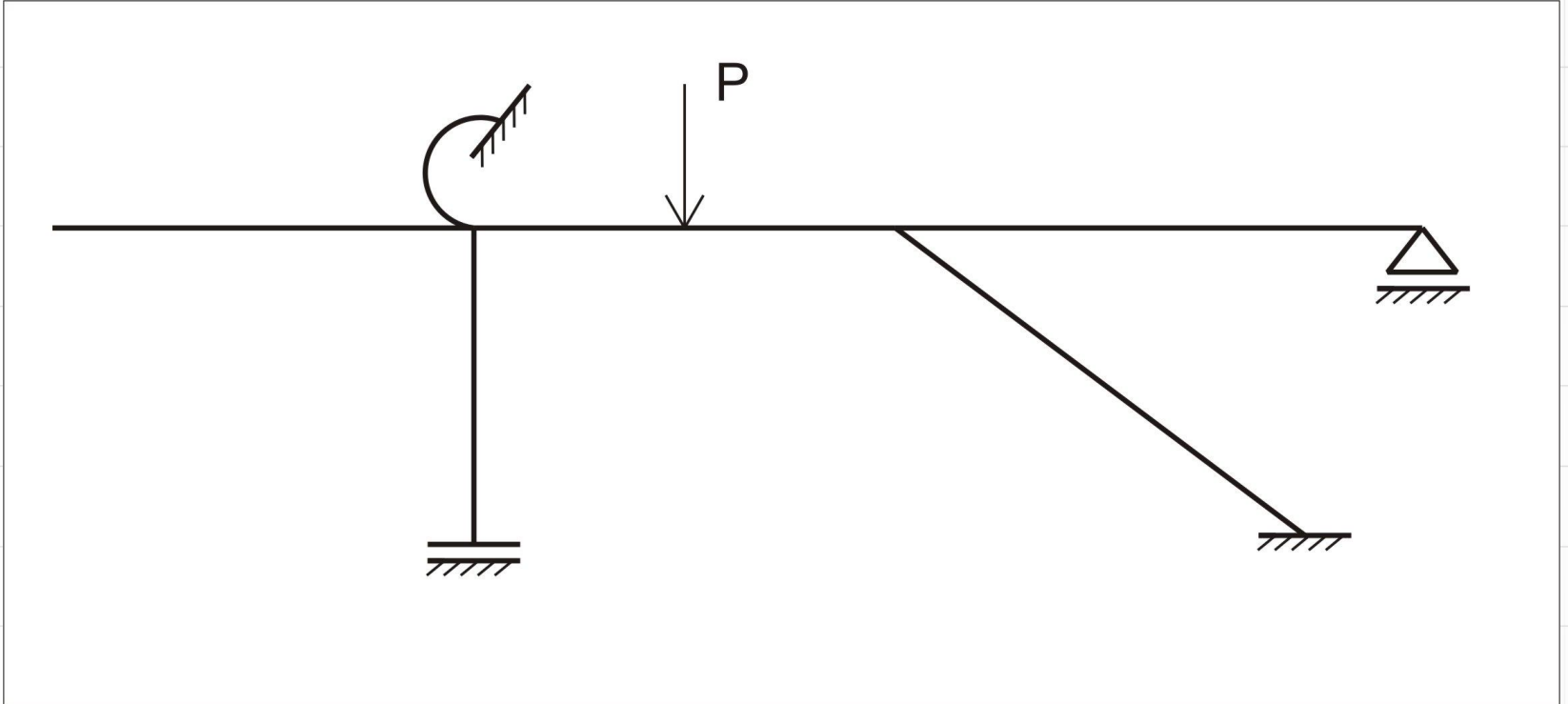


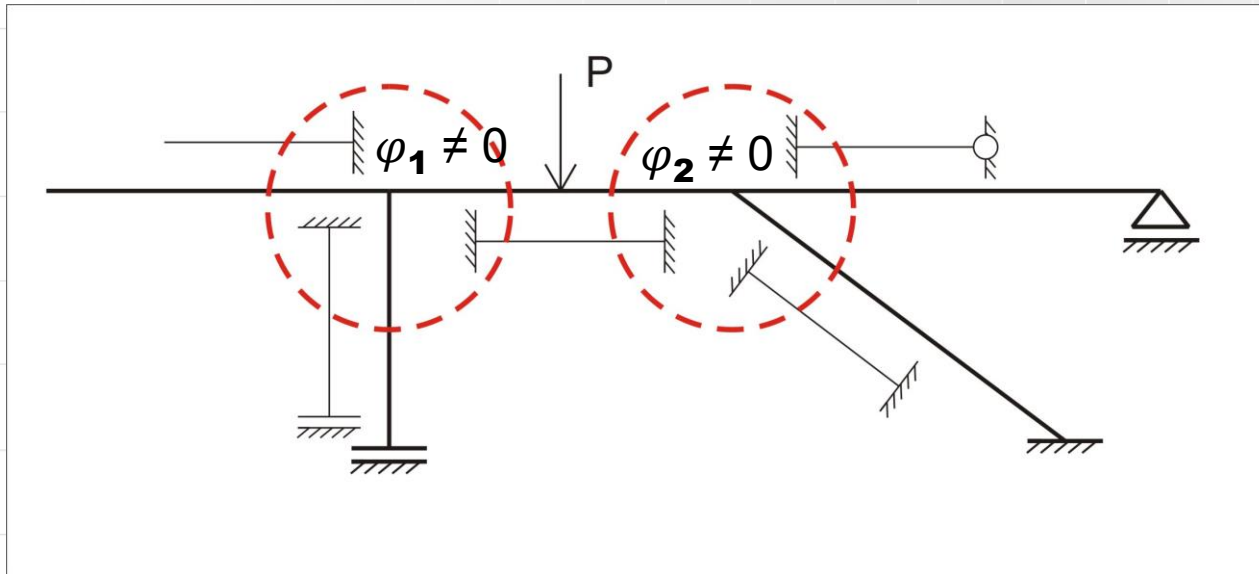
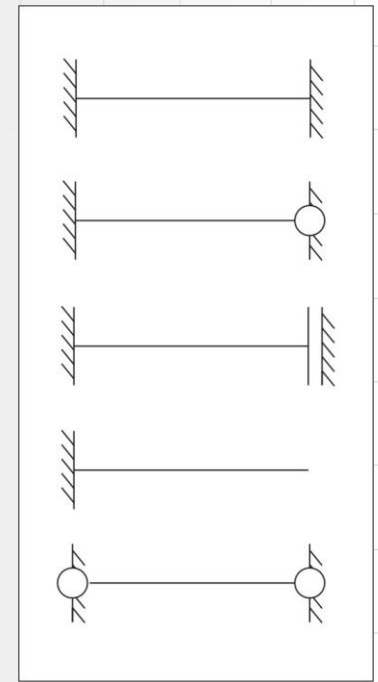
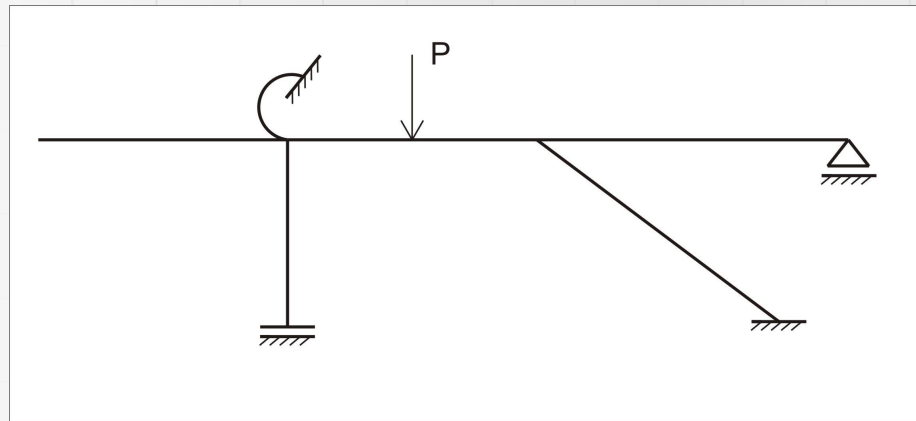
Politechnika
Wroclawska

The primary structure of the displacement method - examples

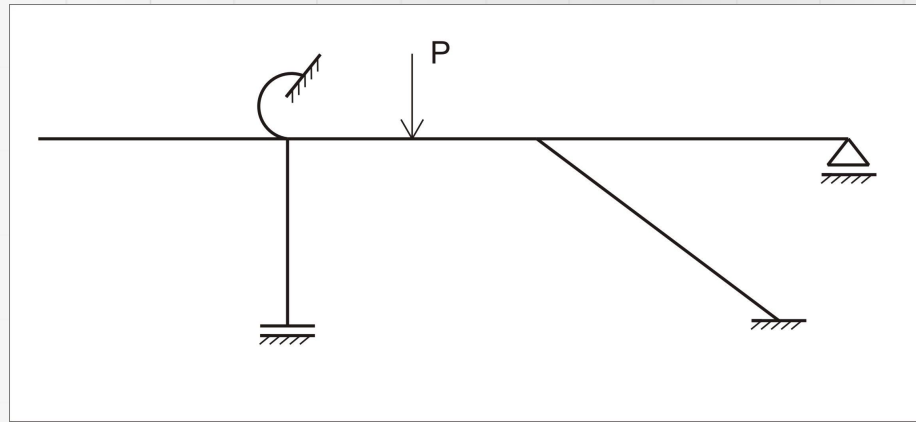


HR EXCELLENCE IN RESEARCH

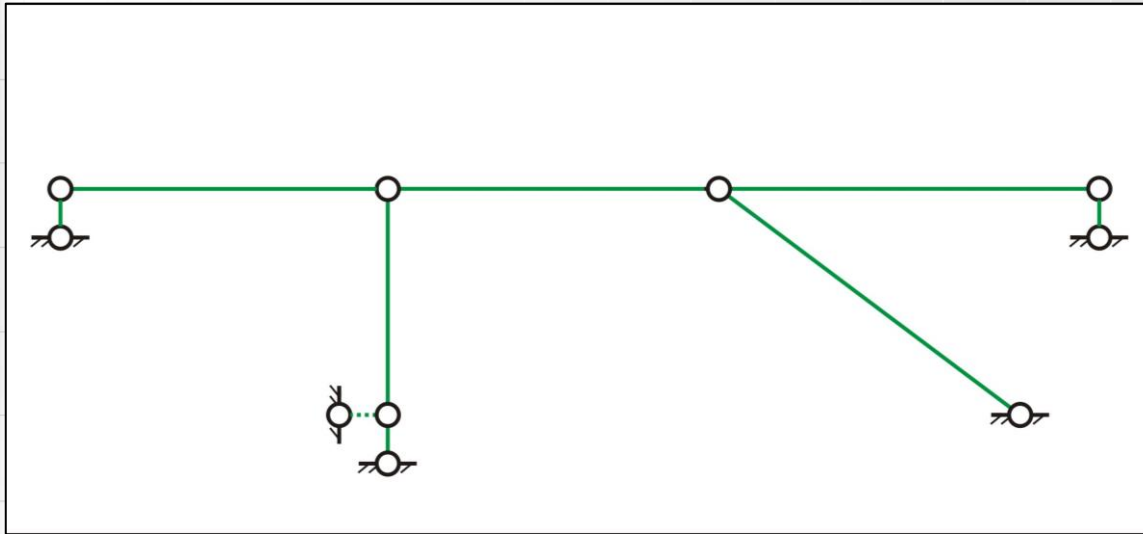




$$n_{\varphi} = 2$$



Pin model:

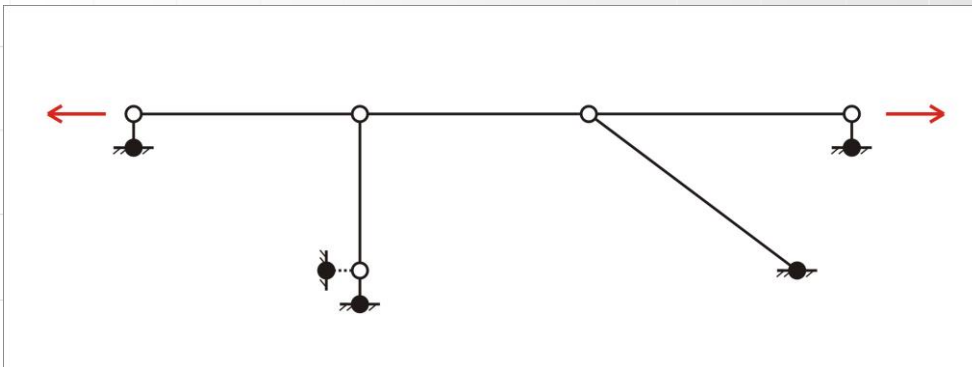


$$n\delta \geq 2w - p - r$$

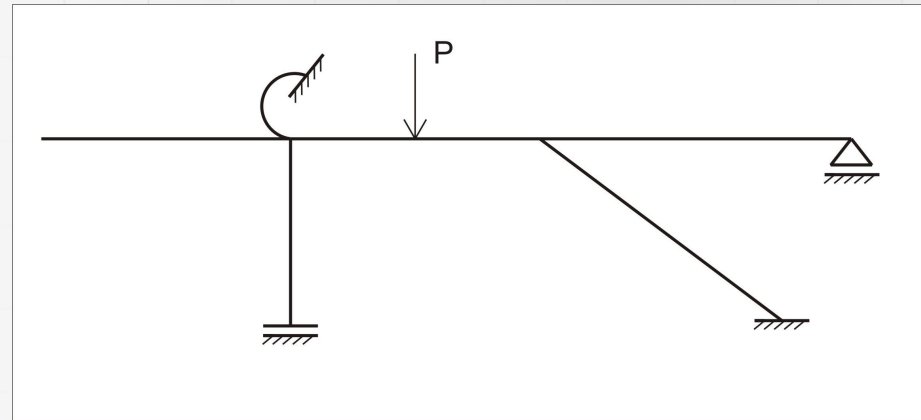
$$w = 10,$$

$$p = 9,$$

$$r = 10$$



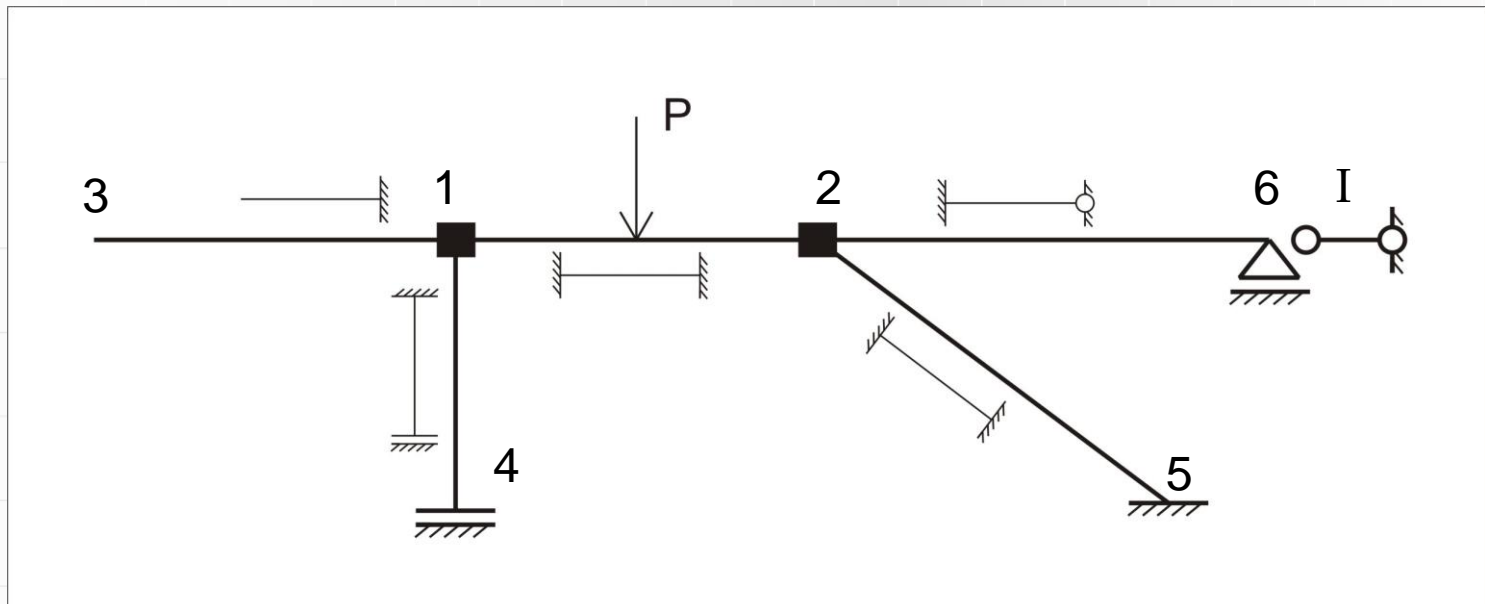
$$n\delta \geq 20 - 10 - 9 \geq 1$$

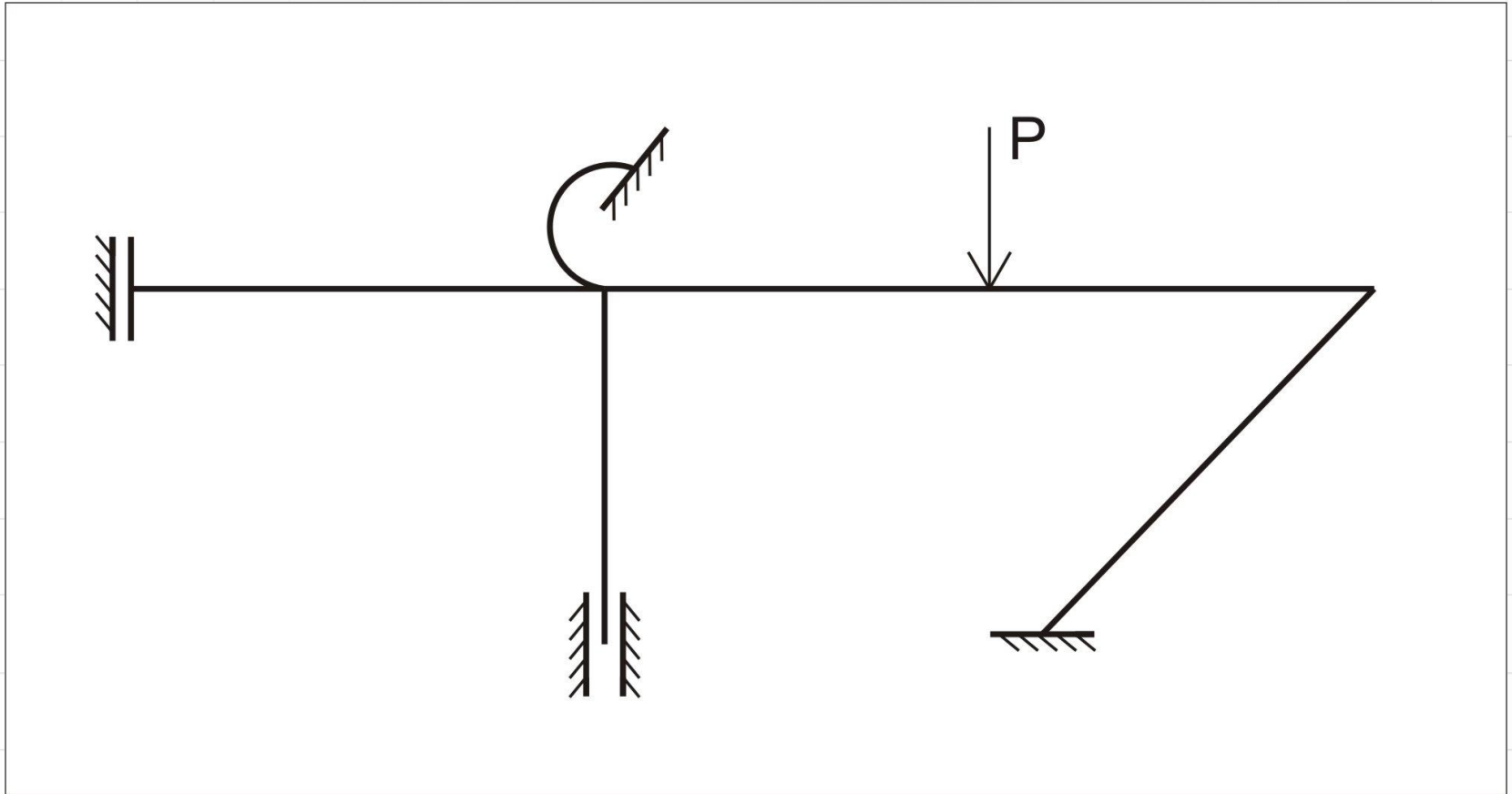


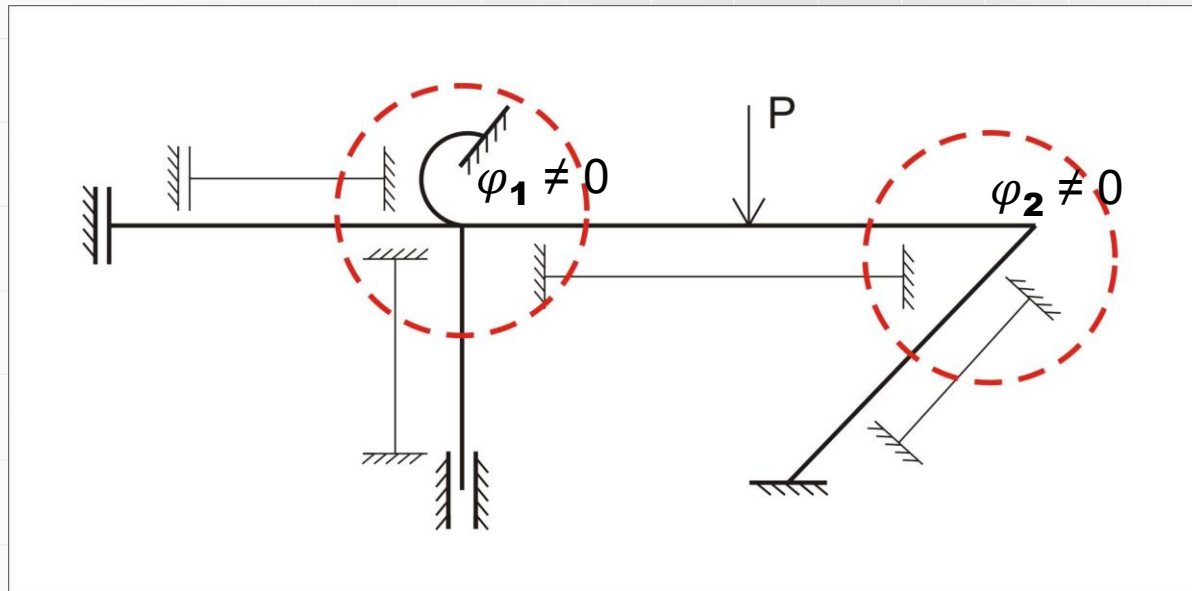
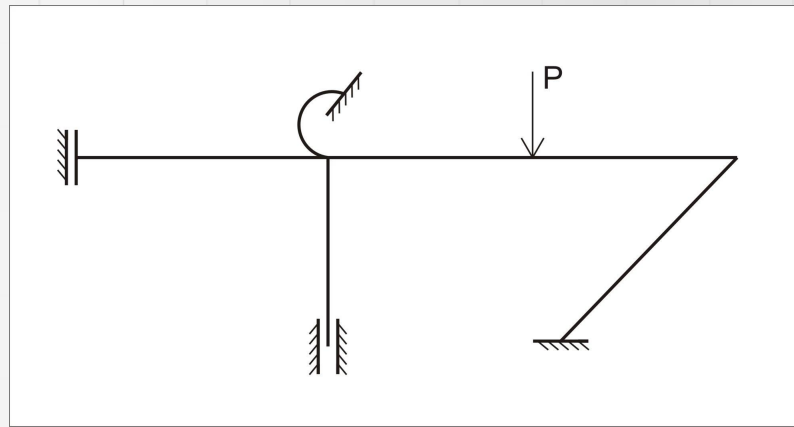
The primary structure

$$n\varphi = 2$$

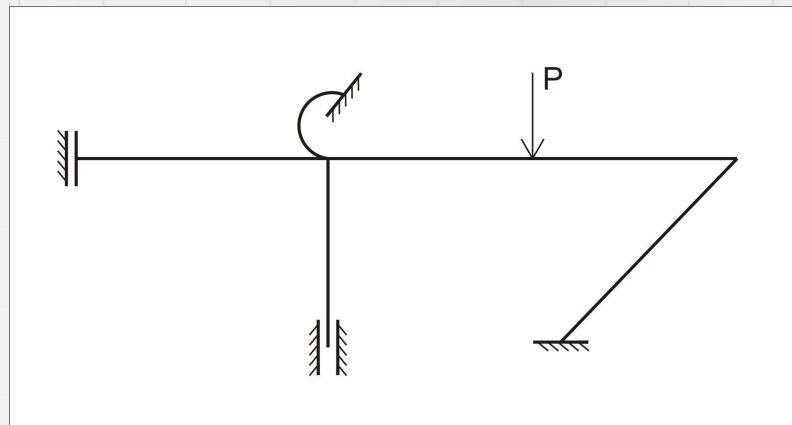
$$n\delta = 1$$



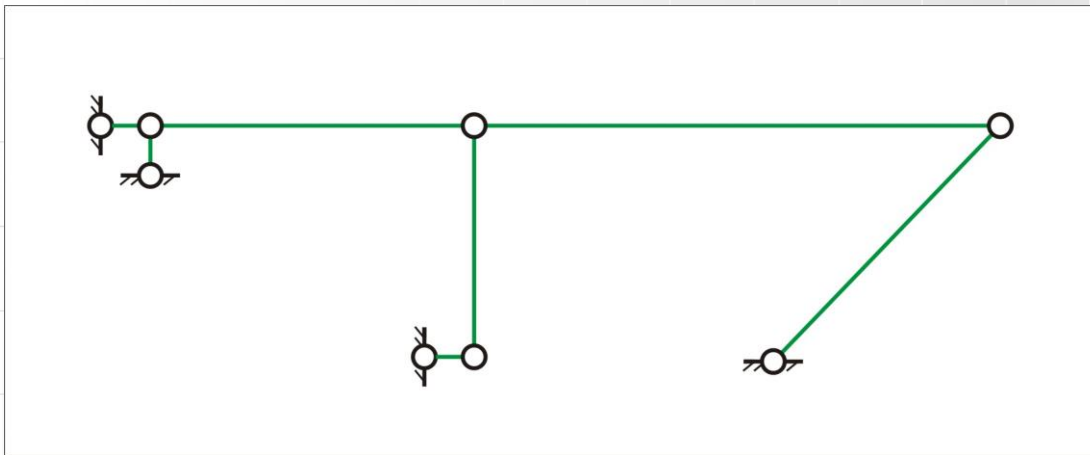




$$n_{\varphi} = 2$$



Pin model:

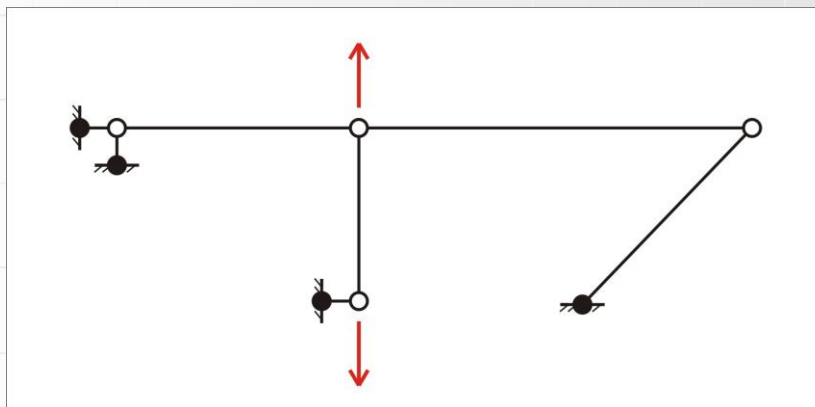


$$n\delta \geq 2w - p - r$$

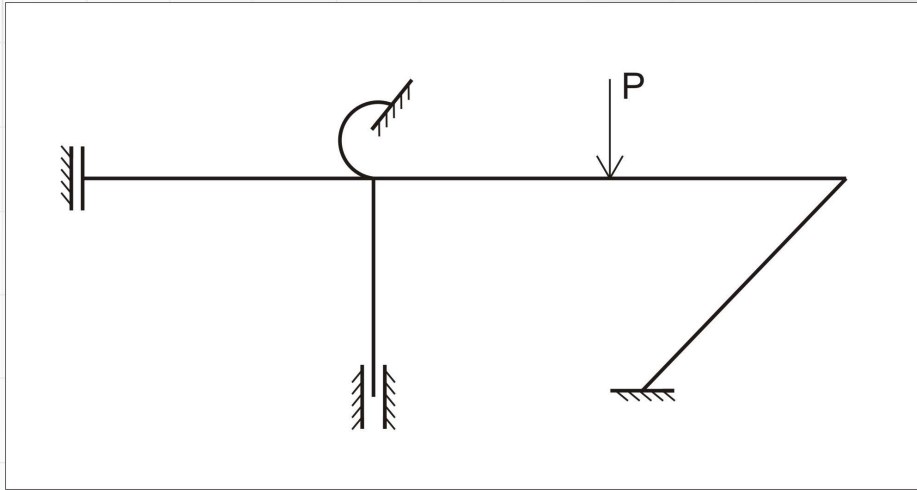
$$w = 8,$$

$$p = 7,$$

$$r = 8$$



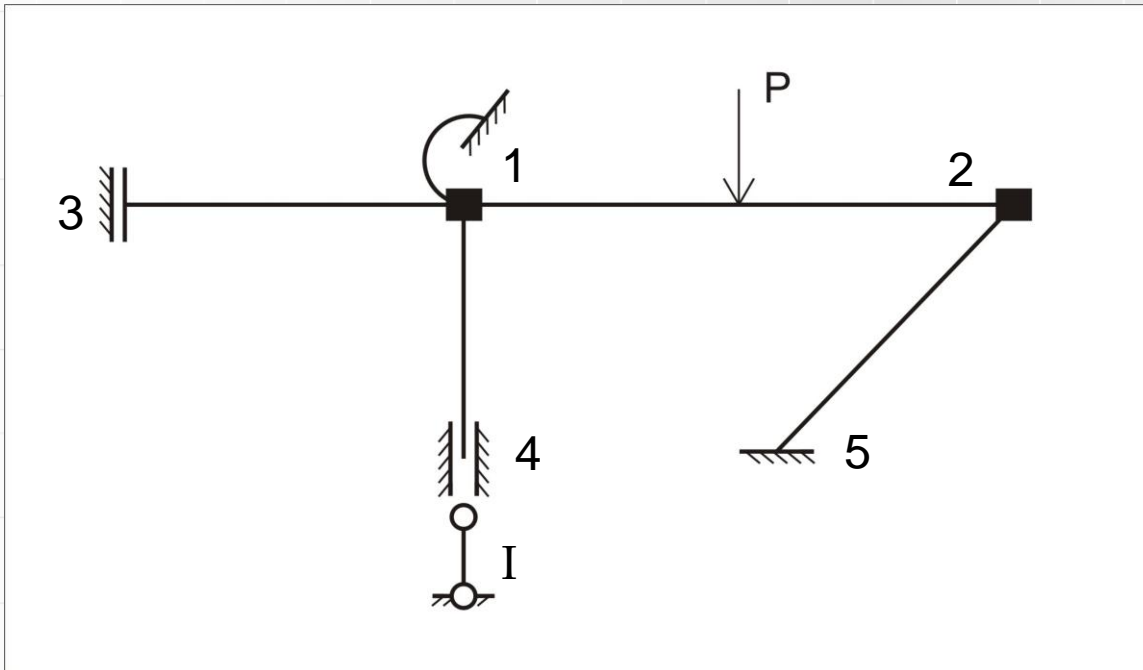
$$n\delta \geq 16 - 7 - 8 \geq 1$$

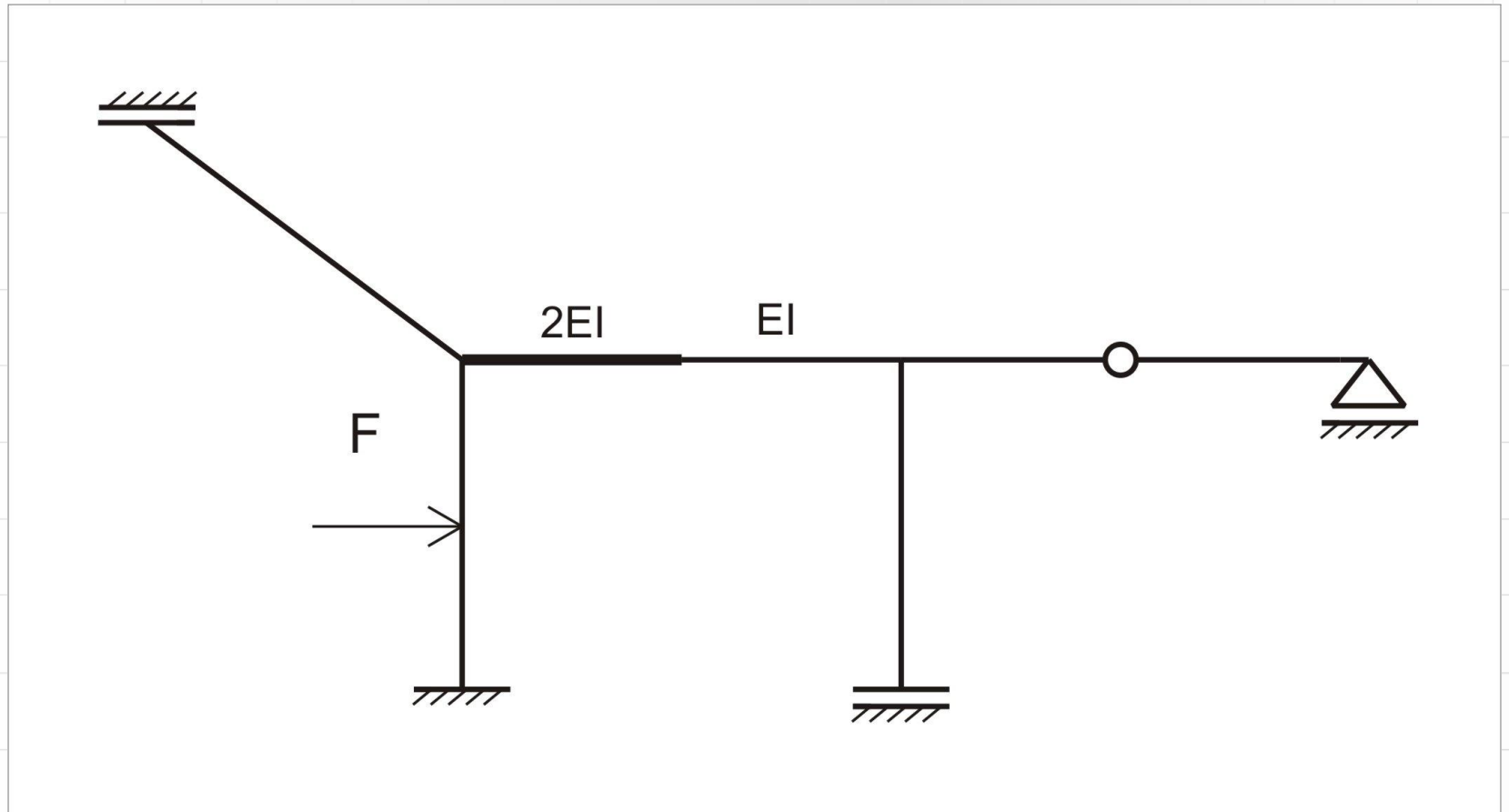


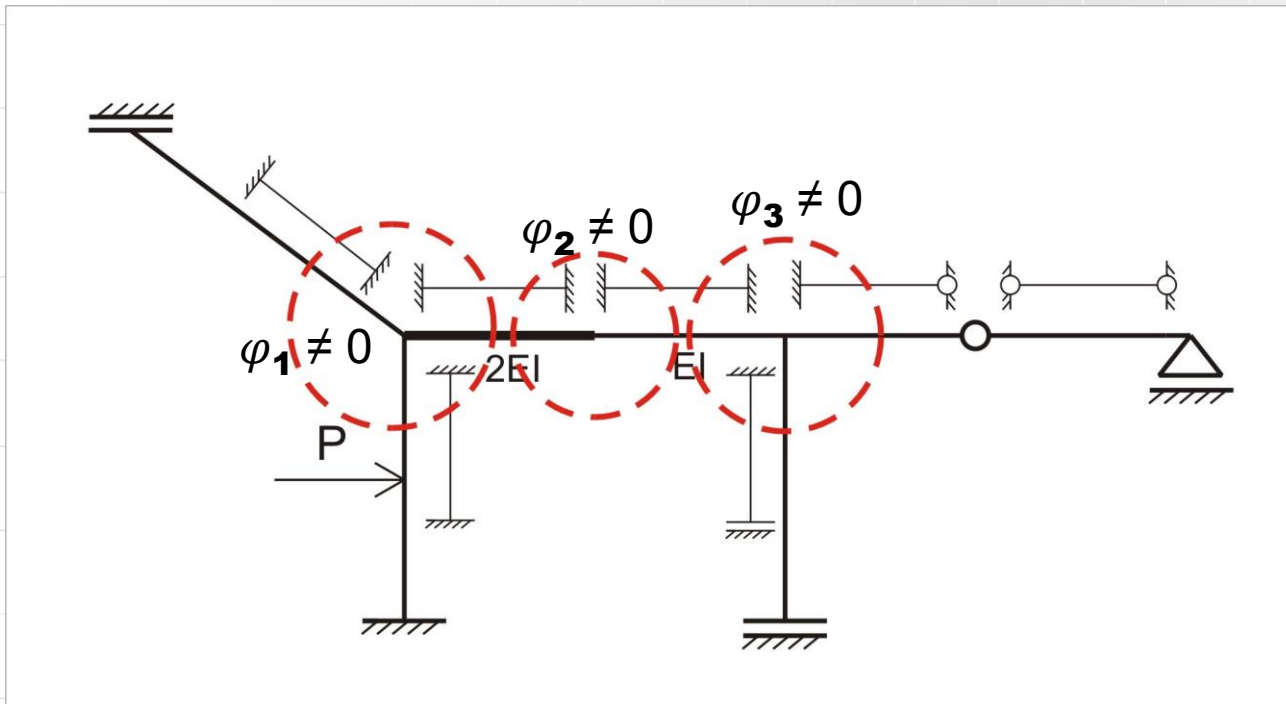
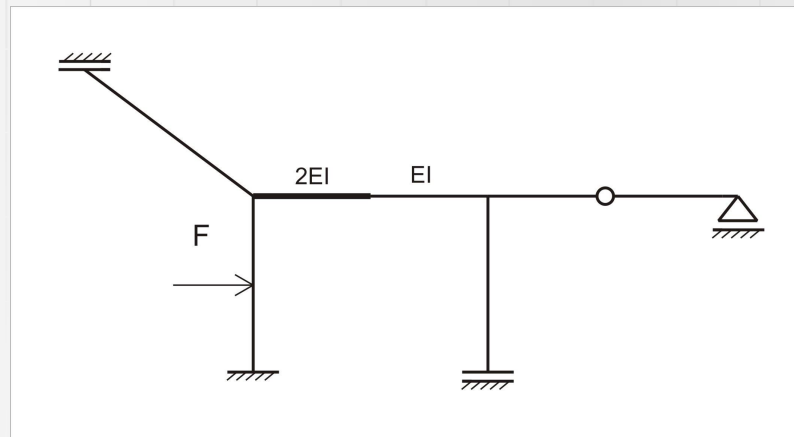
The primary structure

$$n\varphi = 2$$

$$n\delta = 1$$

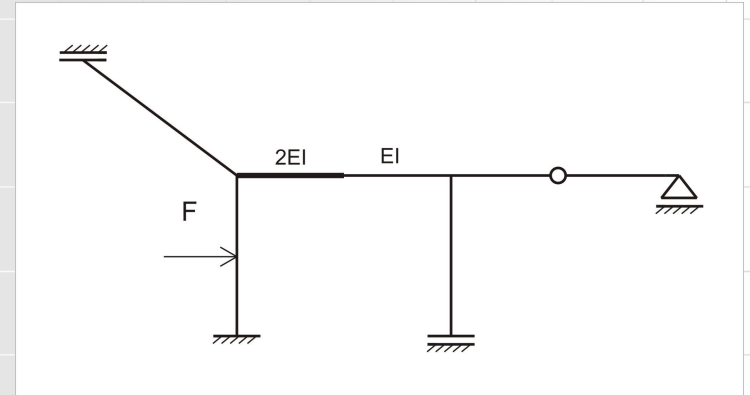
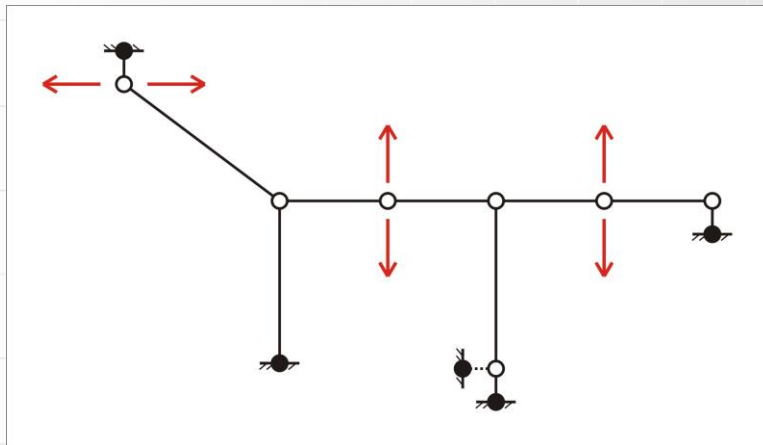
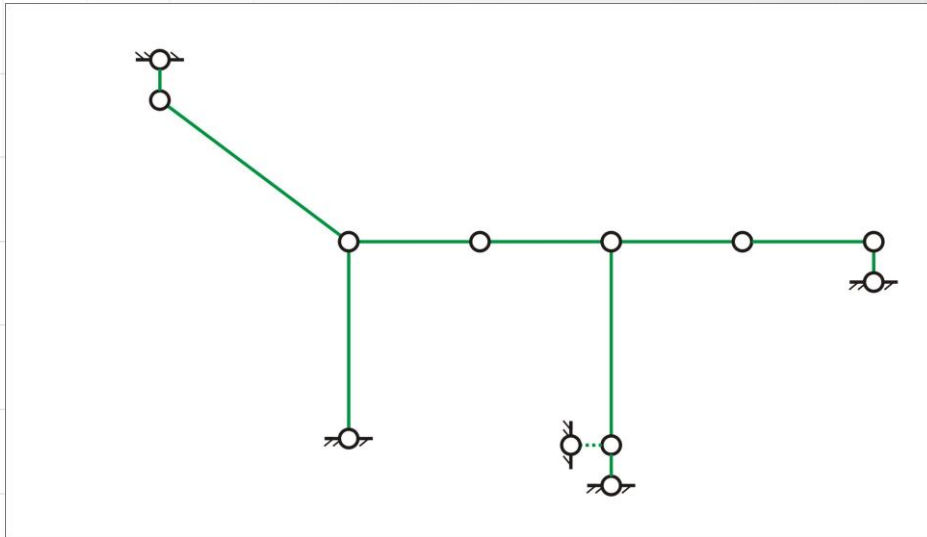






$$n_{\varphi} = 3$$

Pin model:



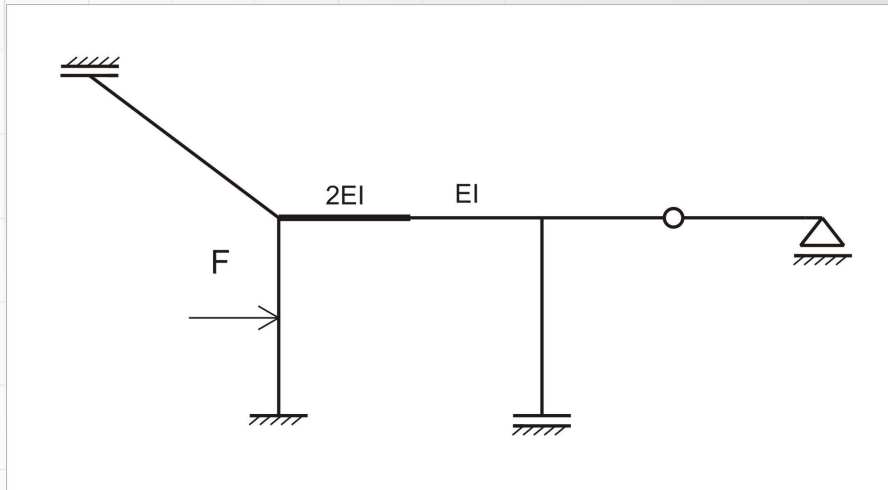
$$n\delta \geq 2w - p - r$$

$$w = 12,$$

$$p = 11,$$

$$r = 10$$

$$n\delta \geq 24 - 11 - 10 \geq 3$$



The primary structure

$$n\varphi = 3$$

$$n\delta = 3$$

