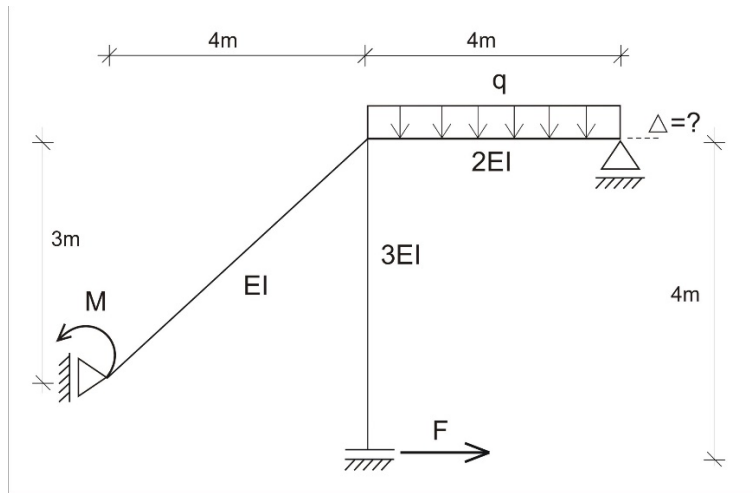


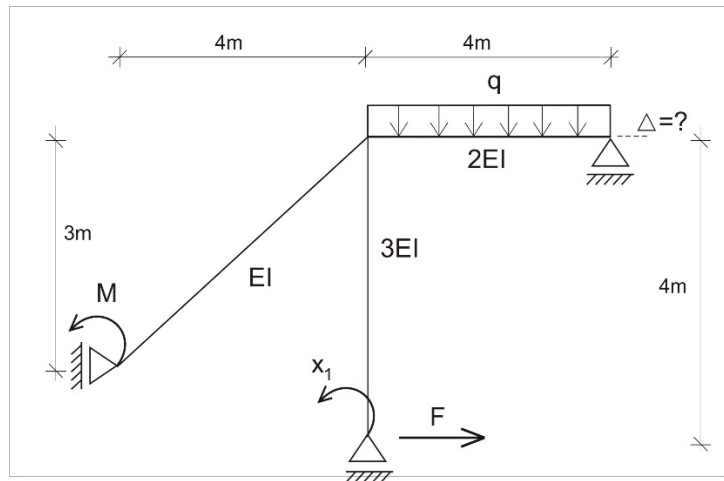
FORCE METHOD

The Given Structure:

$F=60\text{kN}$, $q=20\text{kN/m}$, $M=100\text{kNm}$



The Primary Structure



Results:

1. Values of coefficients:

$$\delta_{11} = -2 \text{ Rad}$$

$$\delta_{1F} = -240 \text{ Rad}$$